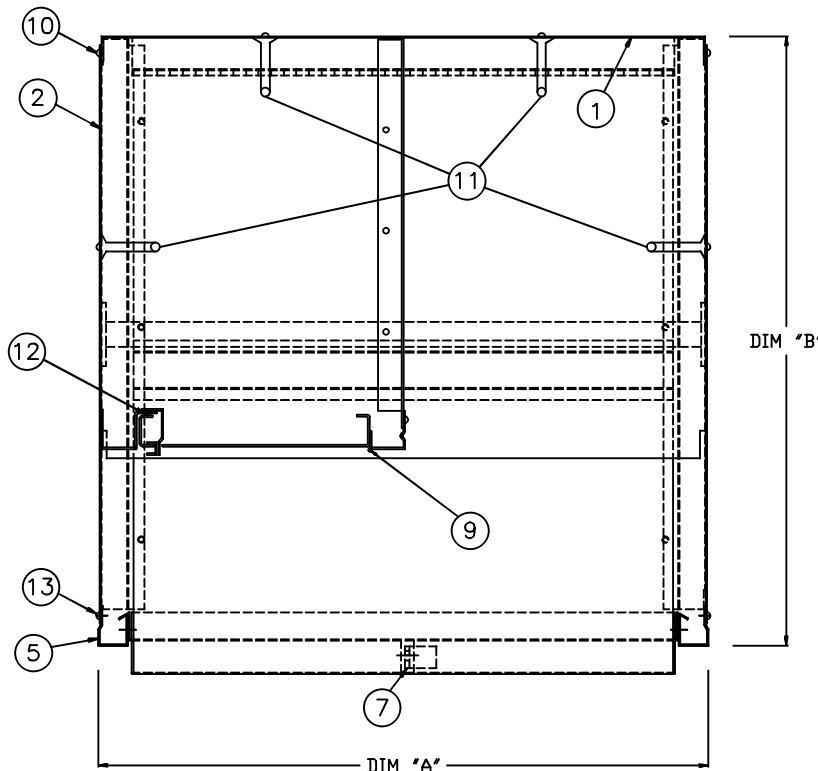
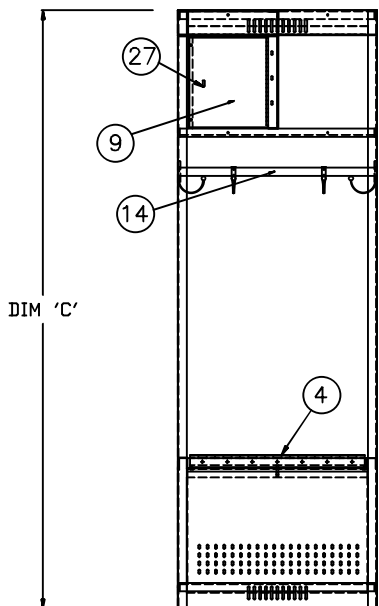
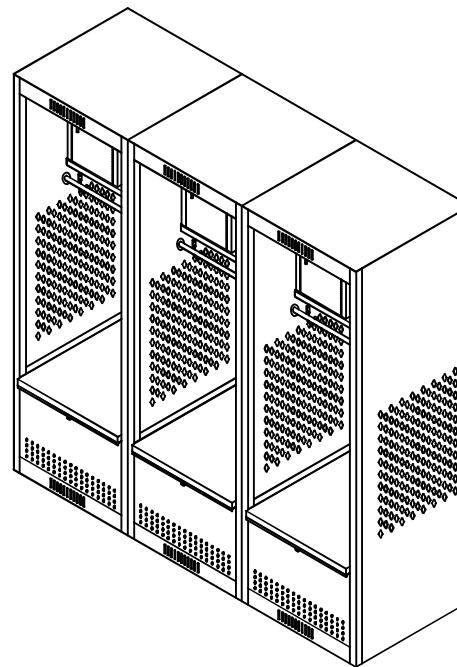


# Varsity Locker

NO.	DESCRIPTION	GAUGE
1	BACK PANEL	16 (1.52 MM)
2	SIDE PANEL (REVERSIBLE)	16 (1.52 MM)
3	TOP, BOTTOM & HAT SHELF	16 (1.52 MM)
4	SEAT WITH 2 - 16Gα REINFORCED CHANNELS	16 (1.52 MM)
5	DOOR STRIKE FRAME	16 (1.52 MM)
6	DOOR (SINGLE PAN)	16 (1.52 MM)
7	FOR LOCKUP BOX CONFIGURATION HASP	12 (2.79MM)
8		
9	CONTINUOUS HINGE & FRAME FOR LOCKUP BOX CONFIGURATION	16 (1.52 MM)
10	RIVET	
11	COAT HOOK (4 PER LOCKER) FOR LOCKUP BOX CONFIGURATION	
12	DOOR BUMPER - 2 PER DOOR	
13	#8 x 5/8" BOLT & NUT	
14	CHROME PLATED COAT ROD	
15		
16	NUMBER PLATE & DOOR PULL	
	EXTRA & SPECIAL PARTS	
27	PADLOCK OR CYLINDER LOCK LOCK-UP	
28		

DIM "A"      DIM "B"      DIM "C"



## GENERAL STORAGE SYSTEMS

2995 PAGE STREET, LONDON  
ONTARIO, CANADA, N5V 4P6  
PHONE: (519) 453-5910  
FAX: (519) 455-0037

PROJECT:

STYLE:  
**Varsity Locker**

CUSTOMER:

QUOTE NO:

ARCH/ENG/CONT:

DATE: SEPTEMBER 19, 2017

SCALE: NOT TO SCALE

DESIGNED BY: B. ALEXANDER

APPROVED BY: K. NIZIELSKI

DRAWN BY: T. HARNETT

DRAWING No:

SHEET 1 OF 1

DIMENSIONS MUST NOT BE SCALED,  
ALL MEASUREMENTS MUST BE CHECKED  
AND VERIFIED AND ALL ERRORS SHALL  
BE REPORTED TO GSS PRIOR TO  
PROCEEDING WITH JOB.

ALL PRINTS OF SPECIFICATIONS AND  
PLANS ARE THE PROPERTY OF  
GENERAL STORAGE SYSTEMS MFG LTD  
AND NOT TO BE COPIED OR USED  
WITHOUT WRITTEN PERMISSION.